



**CleanWay® Environmental Partners, Inc.**

PO Box 30087  
10620 NE Marx Street  
Portland, Oregon 97294

Toll Free 1-800-723-1373

Tel 503-280-5102

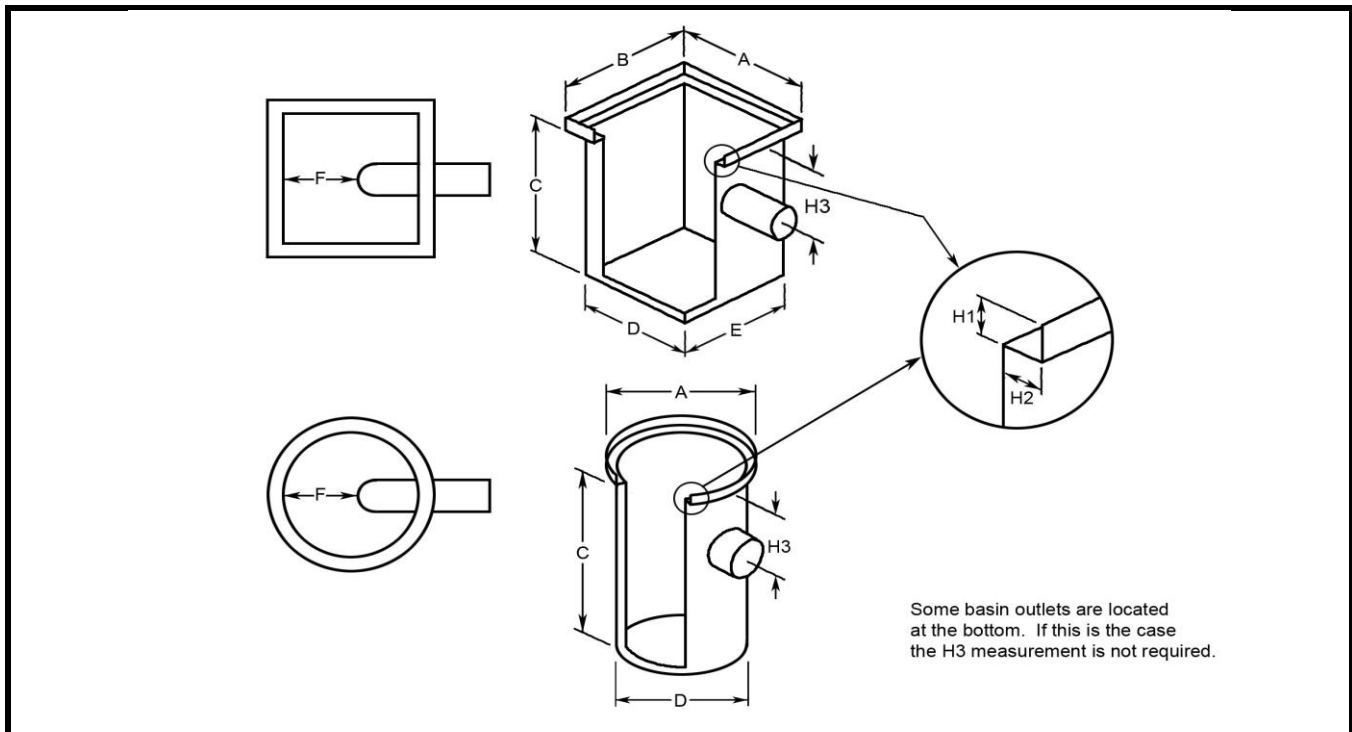
Fax 503-288-3658

[www.cleanwayusa.com](http://www.cleanwayusa.com)

### Sizing Chart for Filtration Inserts

Square/Rectangular	Measurement
"A" Width	
"B" Length	
"C" Overall Depth	
"D" Inside Width	
"E" Inside Length	
"F" Clearance to Outlet Baffle	
"H1" Height	
"H2" Length	
"H3" Outlet Center to Top	

Round	Measurement
"A" Lip Diameter	
"C" Overall Depth	
"D" Inside Diameter	
"F" Clearance to Outlet Baffle	
"H1" Height	
"H2" Length	
"H3" Outlet Center to Top	



### Sizing for Adsorption Booms

Available in 6, 8 and 10 foot lengths

Length:

#### Notes

Add your notes or special instructions.

Indicate additional inlets (size and location) or other uncommon features.