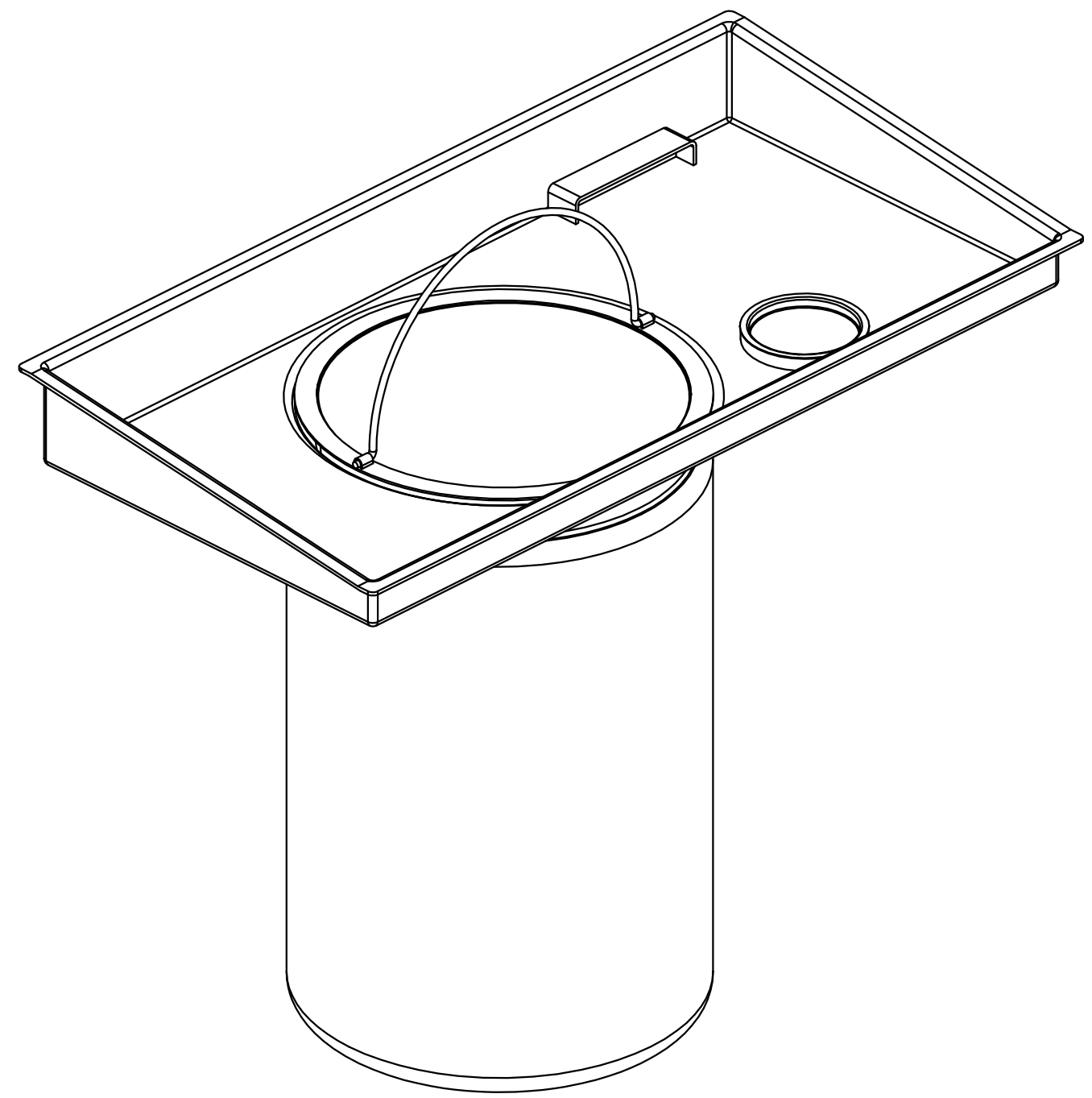
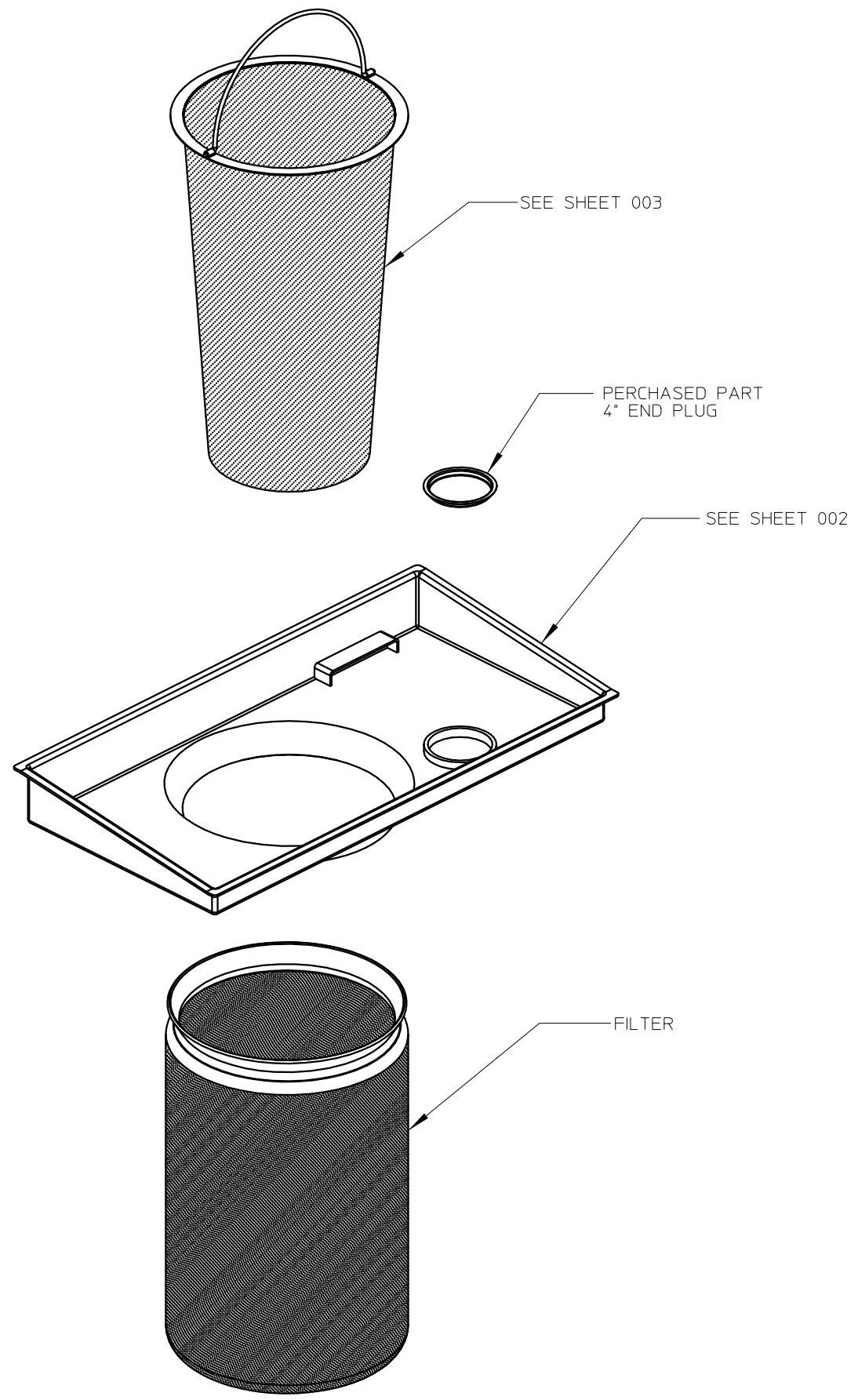


REV	REVISIONS	APPROVED	DATE
A	AS DRAWN	T. MCKINLEY	06/09/2008



DO NOT SCALE THIS
INCH
DRAWING

UNLESS OTHERWISE SPECIFIED
• DIMENSIONS ARE IN MILLIMETERS & IN ACCORDANCE WITH ANSI Y14.5M-1994
• THIRD ANGLE PROJECTION

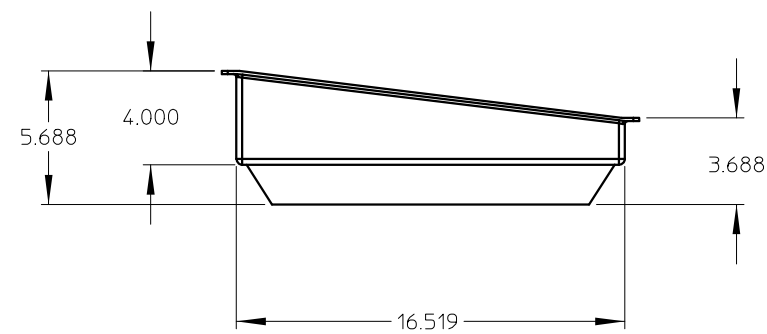
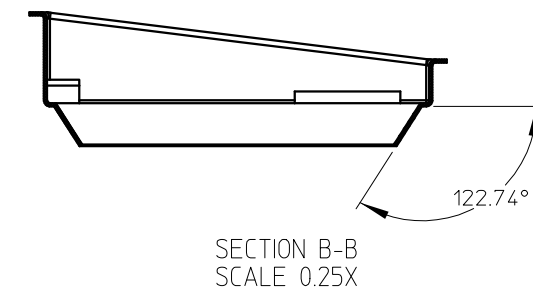
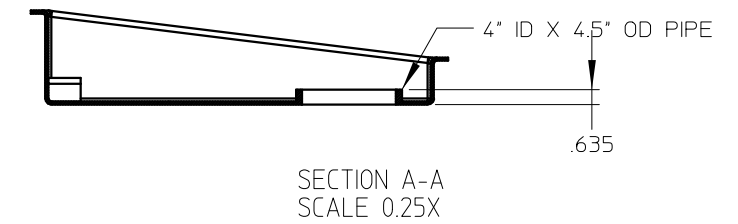
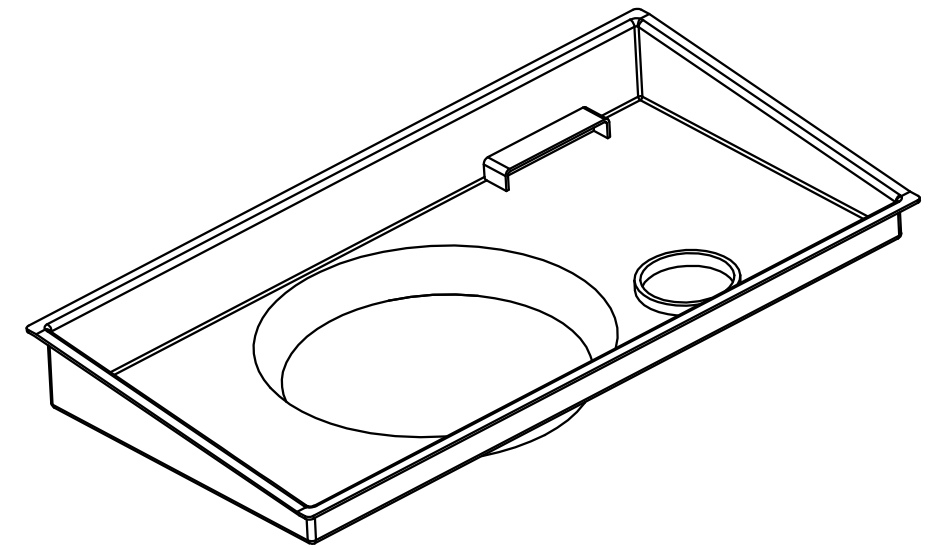
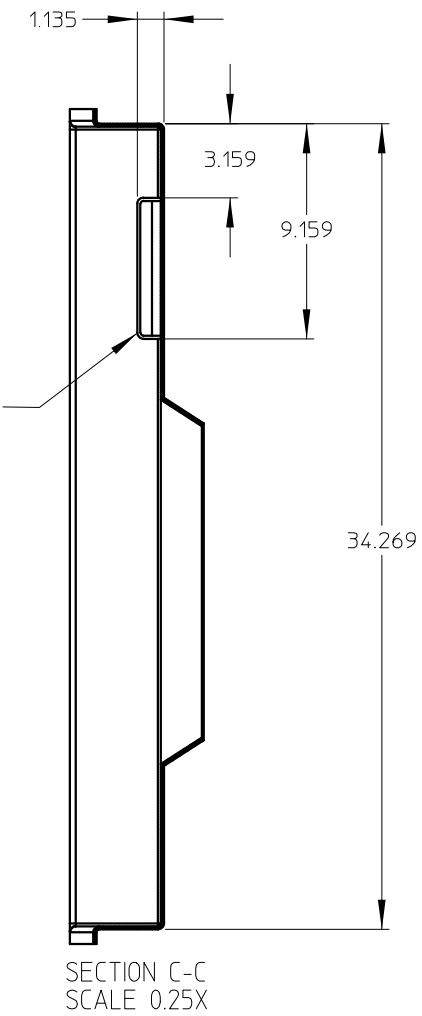
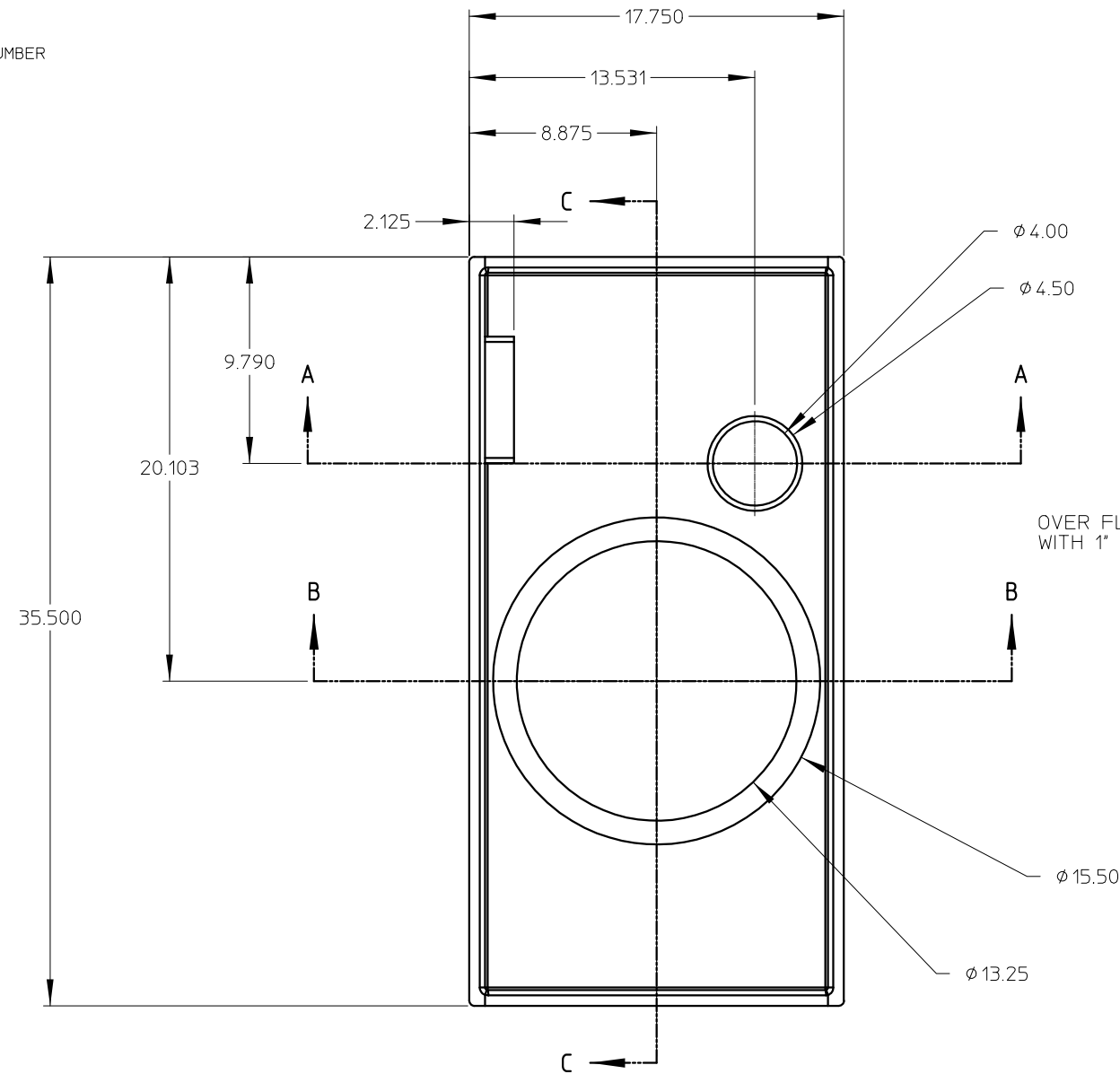
DEFAULT TOLERANCES
LINEAR ANGULAR
XX ± .05 XX ± 2°
XXX ± .02 XXX ± 1°
XXXX ± .01 XXXX ± 0°30'
XX.XXX ± .005
XX.XXXX ± .0005

ITEM	QTY	PART NUMBER / DESCRIPTION
1	A/R	

T. MCKINLEY ORIGINAL DRAWN BY	06/09/2008 DATE	FILTRATION SYSTEM FOR EJIW V-4074-1 CATCH BASIN TITLE
FIRST LAST ENGINEER/CURATOR		
FIRST LAST REVISED BY		
SUPERSEDES		NONE 001 SCALE SHEET D-T-XXXXXX-XXXX-1 DOCUMENT NUMBER

NOTES: (UNLESS OTHERWISE SPECIFIED)

1. MATERIAL: N/A
2. FINISH: N/A
3. HEAT TREAT: N/A
4. ETCH OR ENGRAVE PART NUMBER IN THIS AREA: N/A

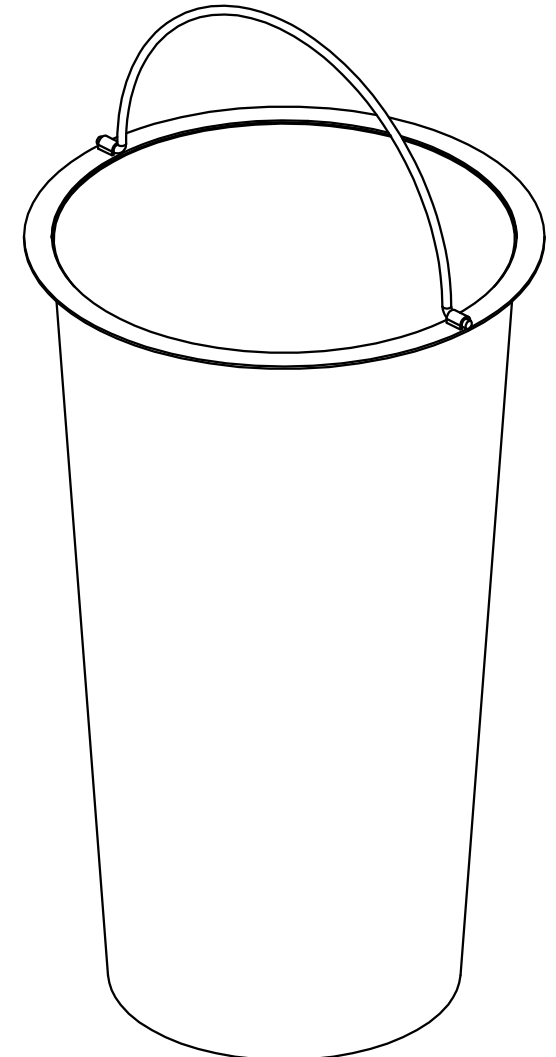
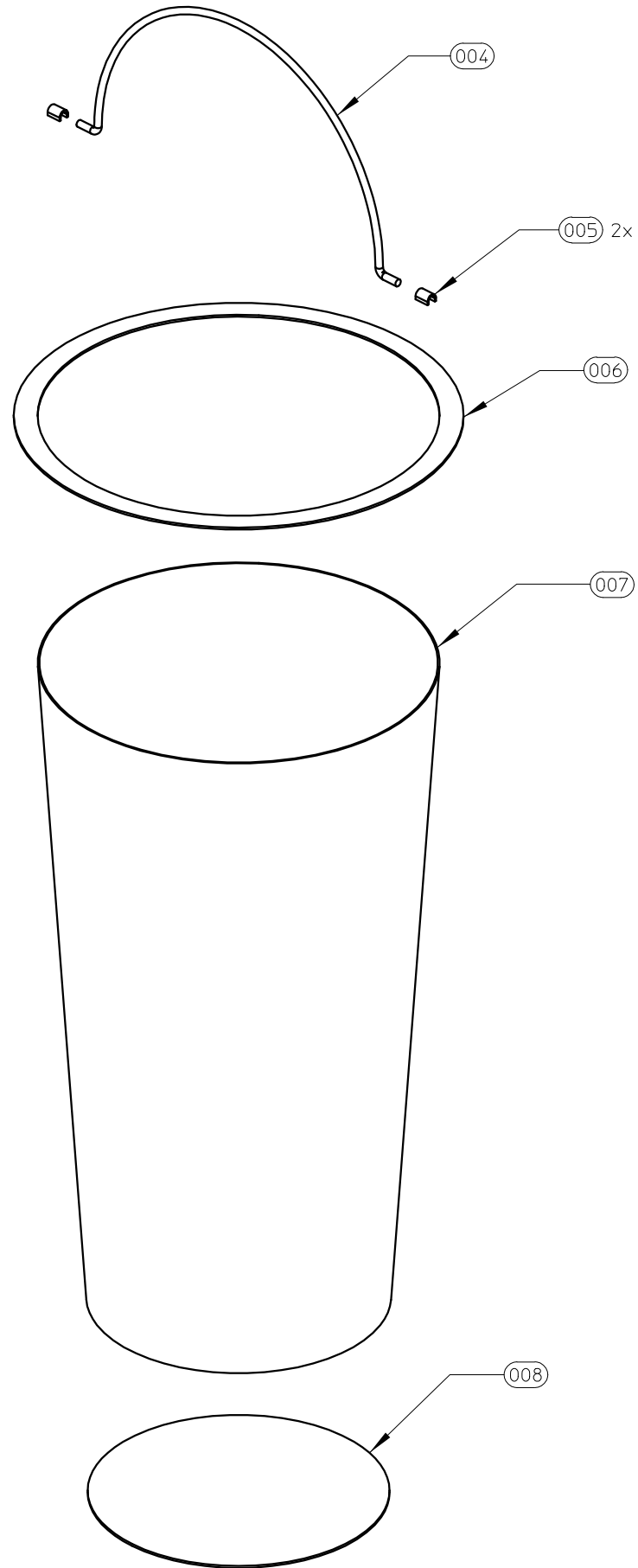


DO NOT SCALE THIS INCH DRAWING		UNLESS OTHERWISE SPECIFIED DIMENSIONS ARE IN MILLIMETERS & IN ACCORDANCE WITH ANSI Y14.5M-1994 THIRD ANGLE PROJECTION		1 A/R		PART NUMBER / DESCRIPTION		T. MCKINLEY ORIGINAL DRAWN BY 06/09/2008 DATE		FILTRATION PAN DETAIL	
DEFULT TOLERANCES LINEAR XX ± .05 XXX ± .02 XXXX ± .01 XX XXX ± .005 XX XXXX ± .0005		ANGULAR XX ± 2° XXX ± 1° XX XXX ± 0°30'		T. MCKINLEY FIRST LAST ENGINEER/CURATOR		06/09/2008 DATE		TITLE		NONE SCALE	
SUPERSEDES		002 SHEET		D-T-XXXXXX-XXXX-1 DOCUMENT NUMBER							

NOTES: (UNLESS OTHERWISE SPECIFIED)

1. MATERIAL: N/A
2. FINISH: N/A
3. HEAT TREAT: N/A
4. ETCH OR ENGRAVE PART NUMBER IN THIS AREA: N/A

REV	REVISIONS	APPROVED	DATE
A	AS DRAWN	T. MCKINLEY	06/09/2008

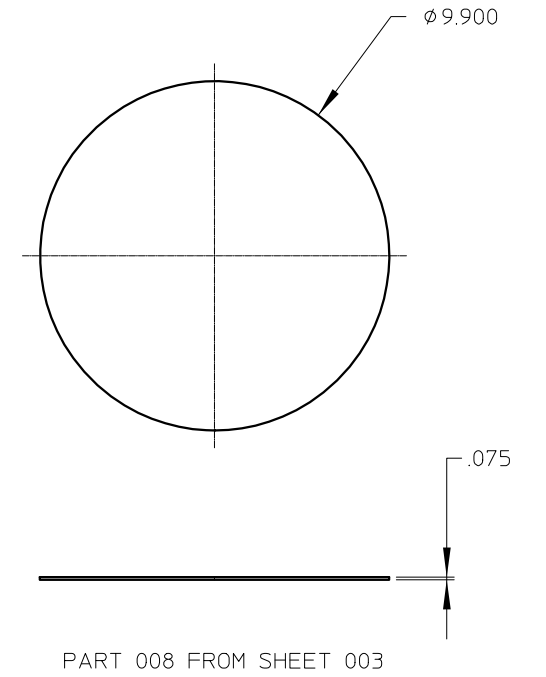
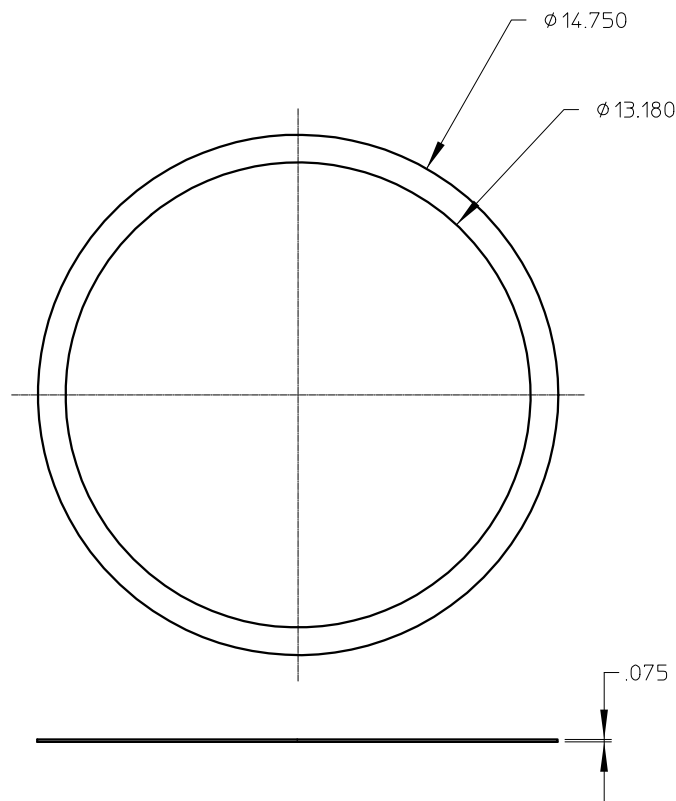
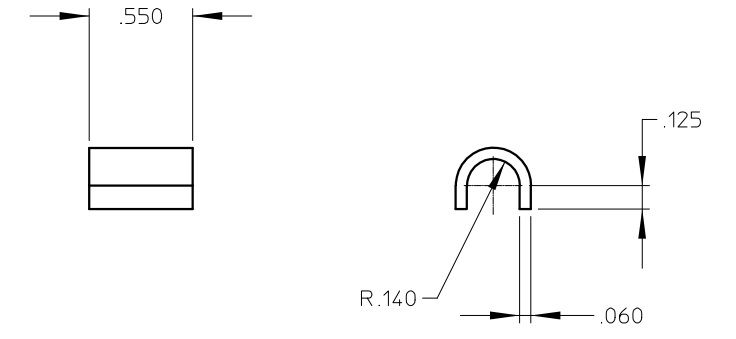
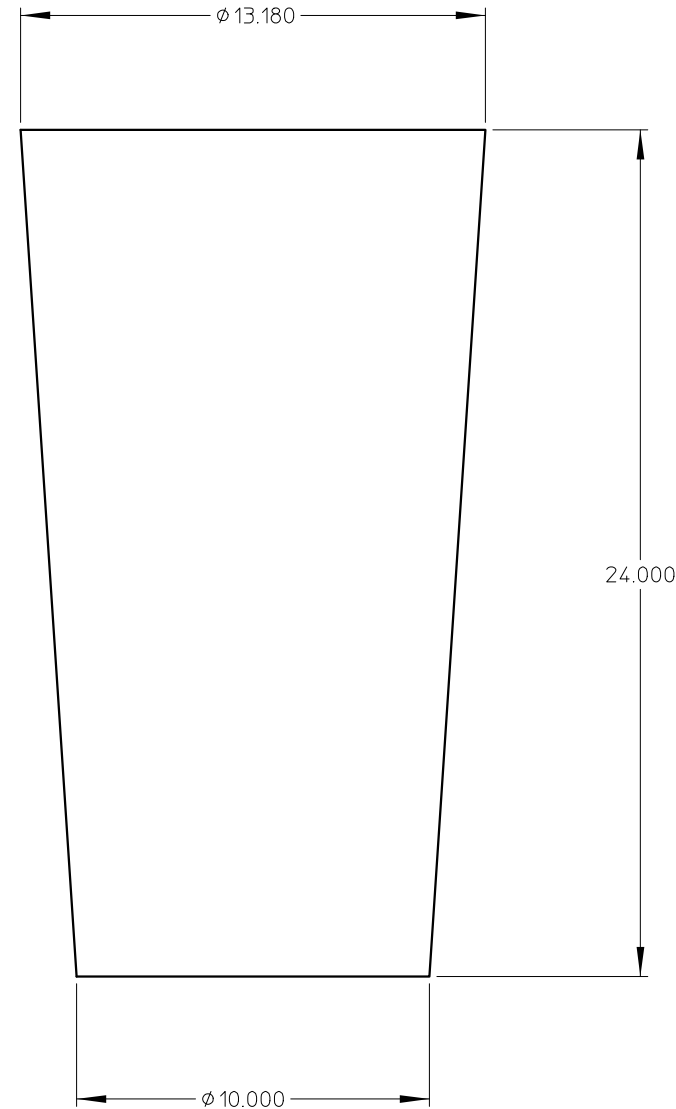
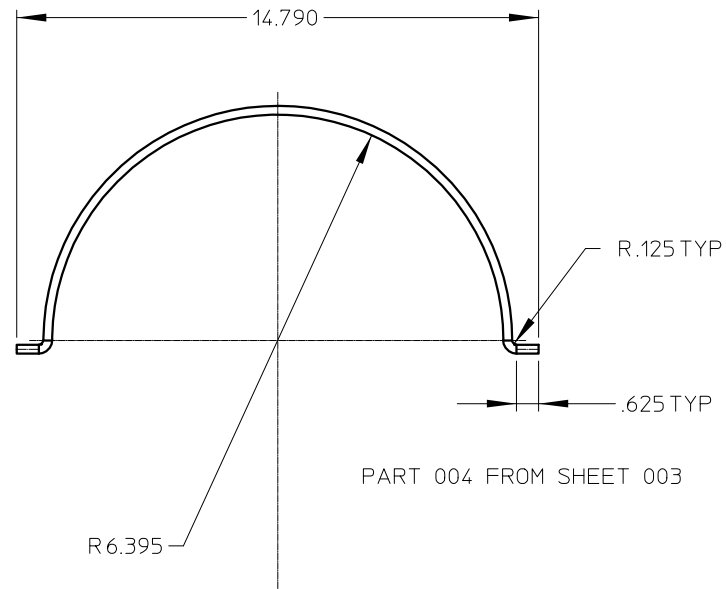


DO NOT SCALE THIS INCH DRAWING		UNLESS OTHERWISE SPECIFIED DIMENSIONS ARE IN MILLIMETERS & IN ACCORDANCE WITH ANSI Y14.5M-1994		THIRD ANGLE PROJECTION		T. MCKINLEY ORIGINAL DRAWN BY		06/09/2008 DATE		STRAINER BASKET DETAIL	
1		A/R		ITEM QTY		PART NUMBER / DESCRIPTION		FIRST LAST ENGINEER/CURATOR		TITLE	
NONE		003		D-T-XXXXXX-XXXX-1		SUPERSEDES		SCALE SHEET		DOCUMENT NUMBER	

NOTES: (UNLESS OTHERWISE SPECIFIED)

1. MATERIAL: N/A
2. FINISH: N/A
3. HEAT TREAT: N/A
4. ETCH OR ENGRAVE PART NUMBER IN THIS AREA: N/A

REV	REVISIONS	APPROVED	DATE
A	AS DRAWN	T. MCKINLEY	06/09/2008



DO NOT SCALE THIS
INCH
DRAWING

UNLESS OTHERWISE SPECIFIED
• DIMENSIONS ARE IN MILLIMETERS & IN ACCORDANCE WITH ANSI Y14.5M-1994
• THIRD ANGLE PROJECTION

1	A/R		
ITEM	QTY	PART NUMBER / DESCRIPTION	

DEFAULT TOLERANCES

LINEAR	ANGULAR
XX + .05	XX ± 2°
XXX + .02	XXX ± 1°
XXXX + .01	XXXX ± 0°30'
XX XXX + .005	
XX XXXX + .0005	

T. MCKINLEY
ORIGINAL DRAWN BY
06/09/2008
DATE

FIRST LAST
ENGINEER/CURATOR

FIRST LAST
REVISED BY

STRAINER BASKET DETAIL

TITLE

NONE
SCALE

004
SHEET

D-T-XXXXXX-XXXX-1
DOCUMENT NUMBER

SUPERSEDES