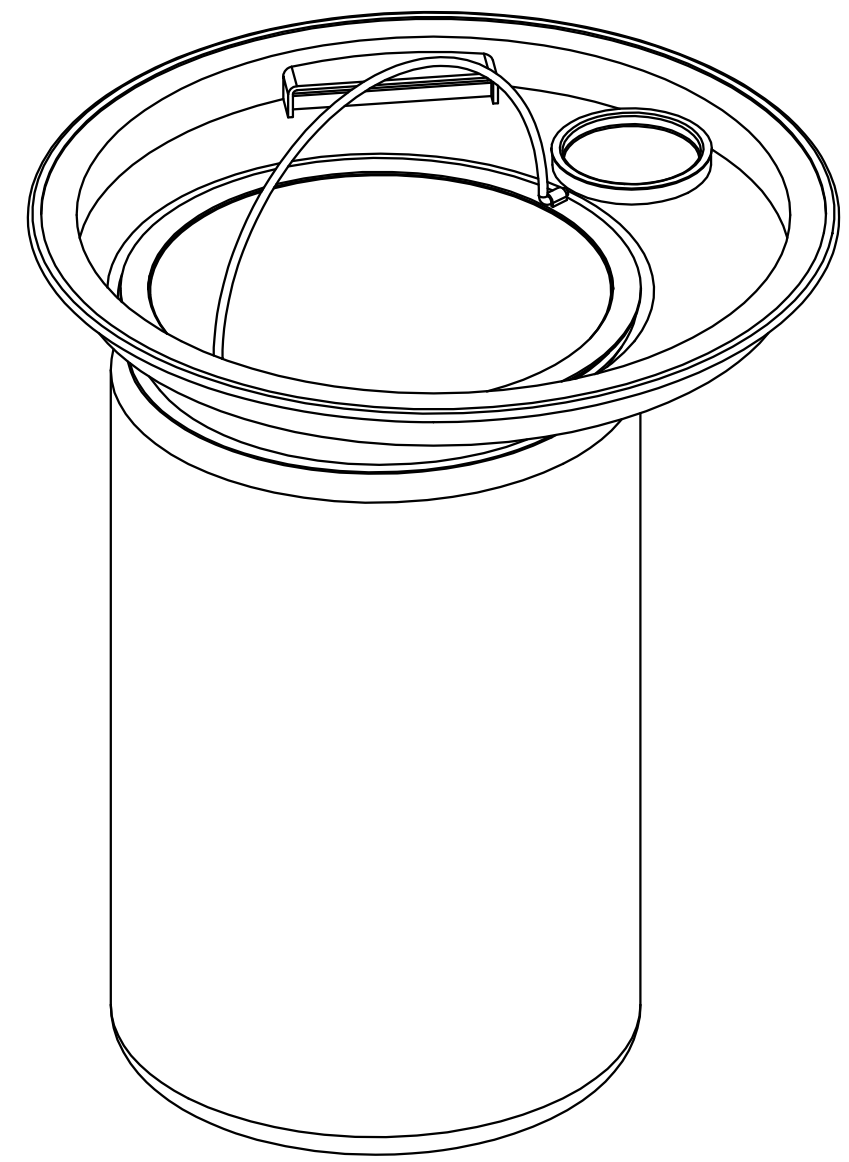
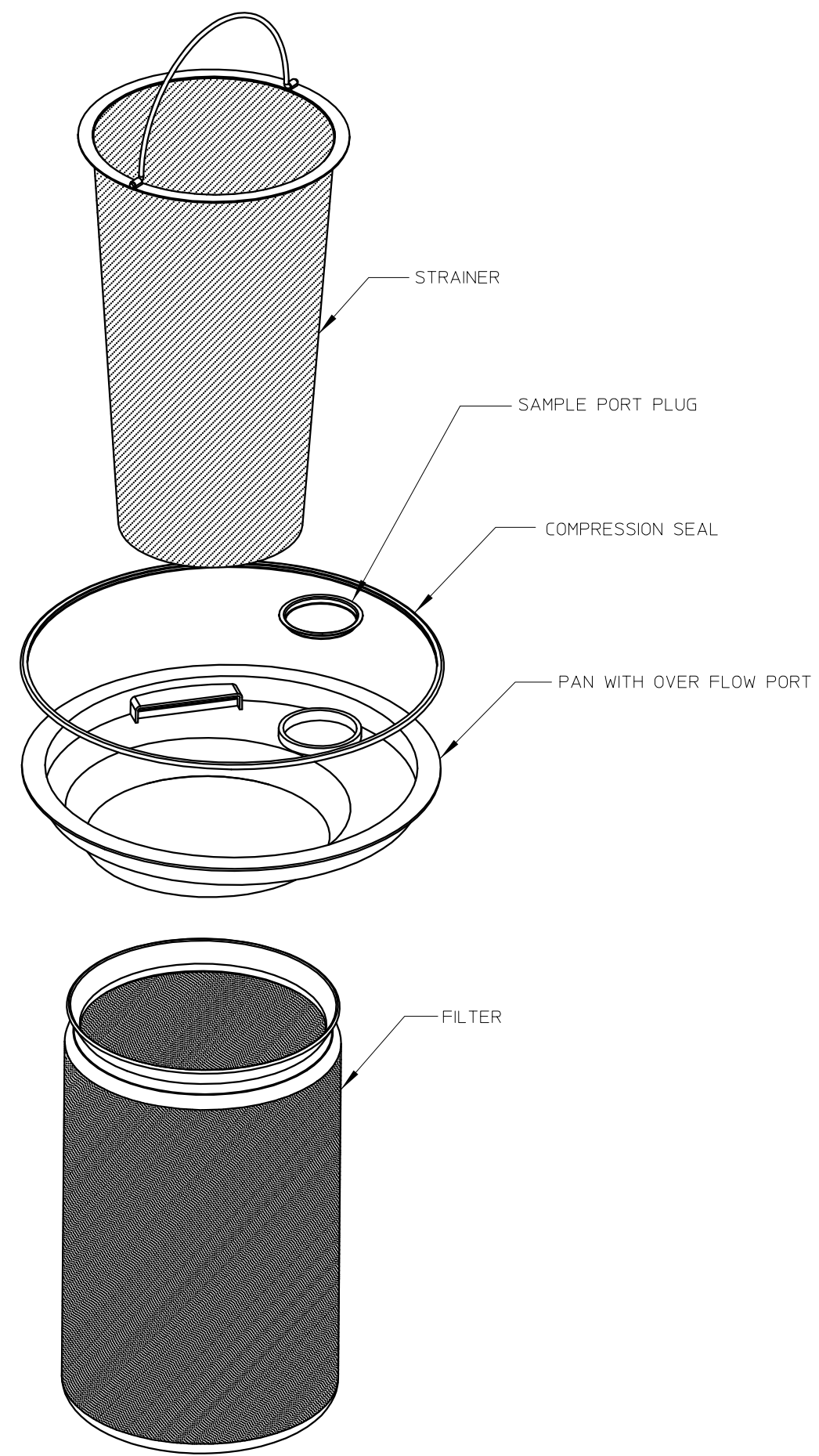


REV	REVISIONS	APPROVED	DATE
A	AS DRAWN	T. MCKINLEY	06/04/2008



DO NOT SCALE THIS
INCH
DRAWING

UNLESS OTHERWISE SPECIFIED
• DIMENSIONS ARE IN MILLIMETERS & IN ACCORDANCE WITH ANSI Y14.5M-1994
• THIRD ANGLE PROJECTION

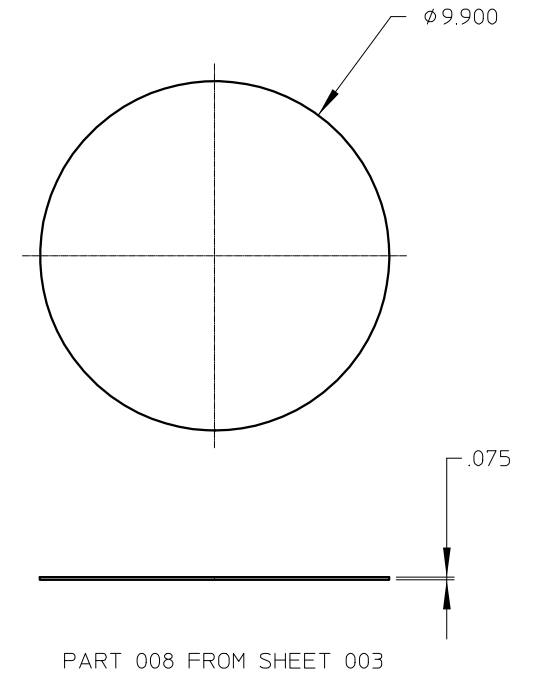
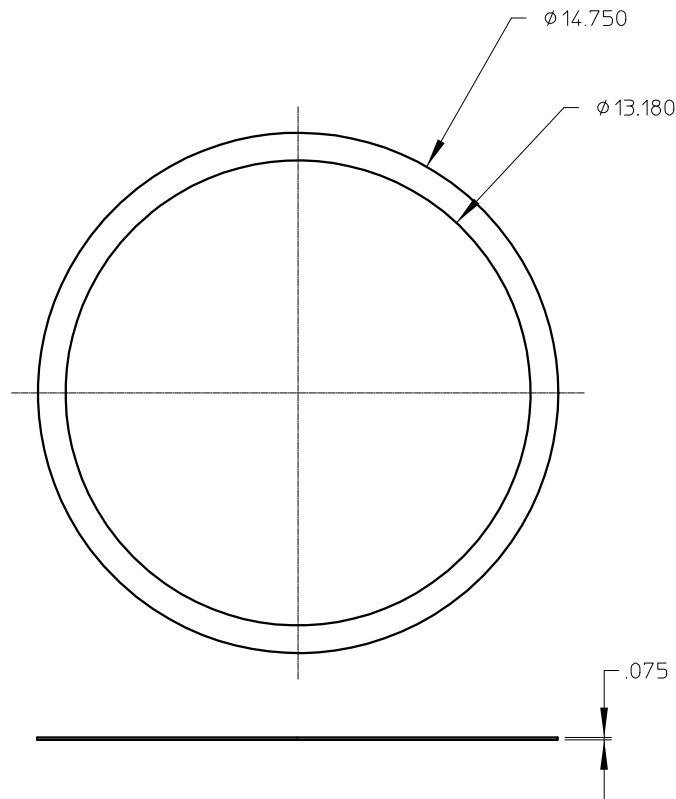
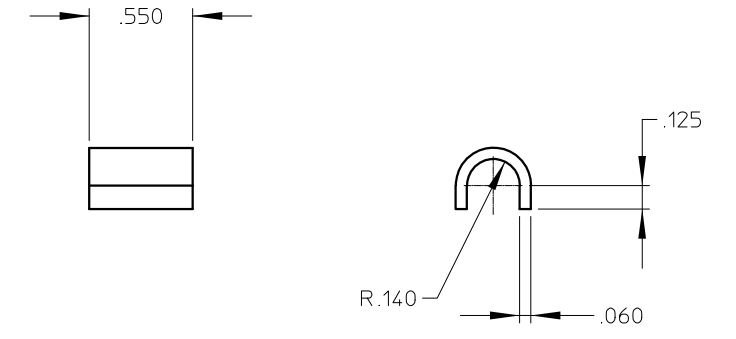
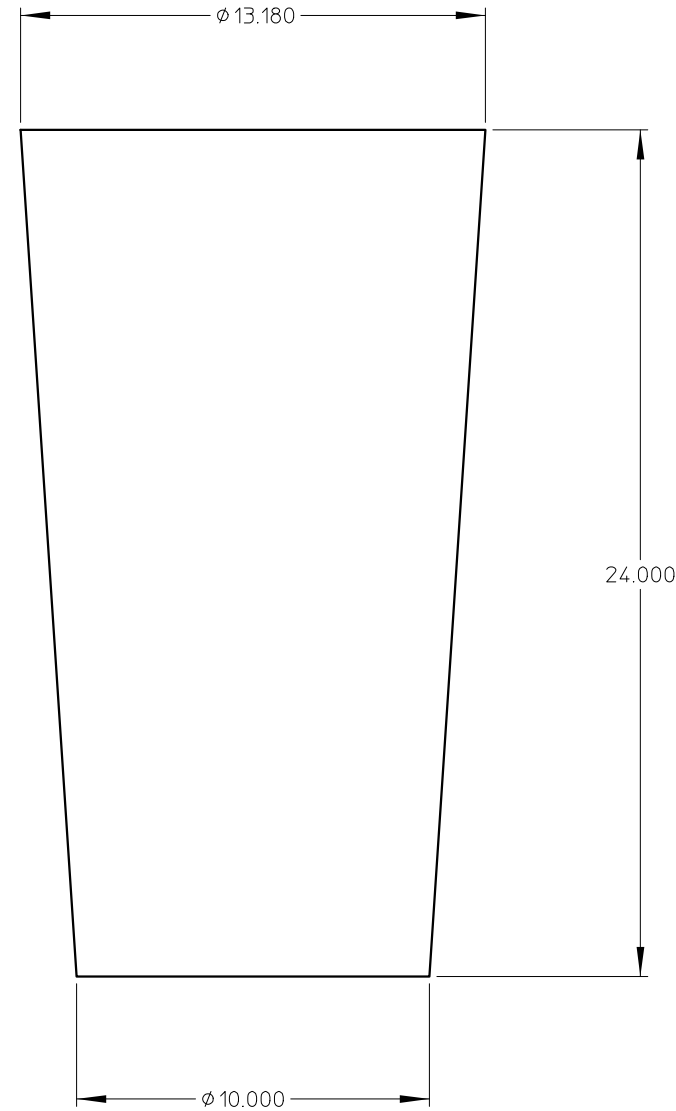
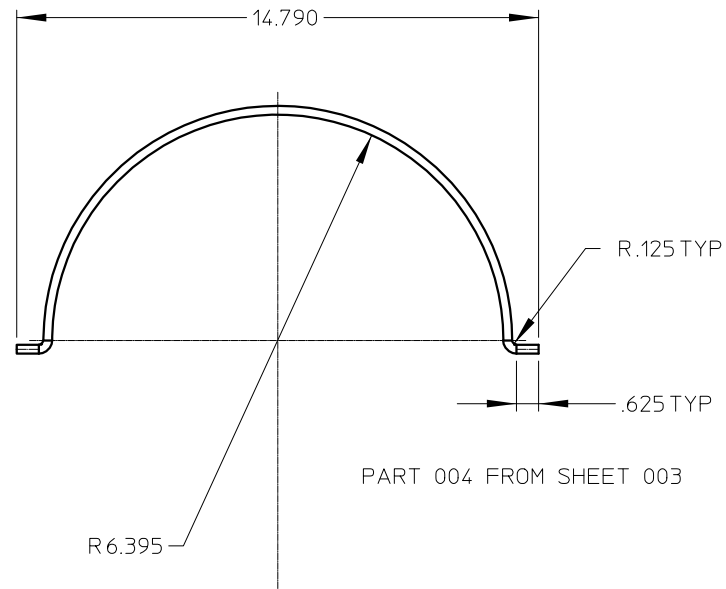
DEFAULT TOLERANCES
LINEAR: XX + .05, XXX + .02, XXXX + .01, XX XXXX + .005, XXXXXX + .0005
ANGULAR: XX ± 2°, XX.X ± 1°, XX.XX ± 0°30'

1	A/R		
ITEM	QTY	PART NUMBER / DESCRIPTION	
T. MCKINLEY	06/04/2008	AREA DRAIN FILTRATION SYSTEM	
ORIGINAL DRAWN BY	DATE	TITLE	
FIRST LAST		NONE	001
ENGINEER/CURATOR		SCALE	SHEET
FIRST LAST		D-T-XXXXXX-XXXX-1	
REVISED BY		DOCUMENT NUMBER	
SUPERSEDES			

NOTES: (UNLESS OTHERWISE SPECIFIED)

1. MATERIAL: N/A
2. FINISH: N/A
3. HEAT TREAT: N/A
4. ETCH OR ENGRAVE PART NUMBER IN THIS AREA: N/A

REV	REVISIONS	APPROVED	DATE
A	AS DRAWN	T. MCKINLEY	06/04/2008

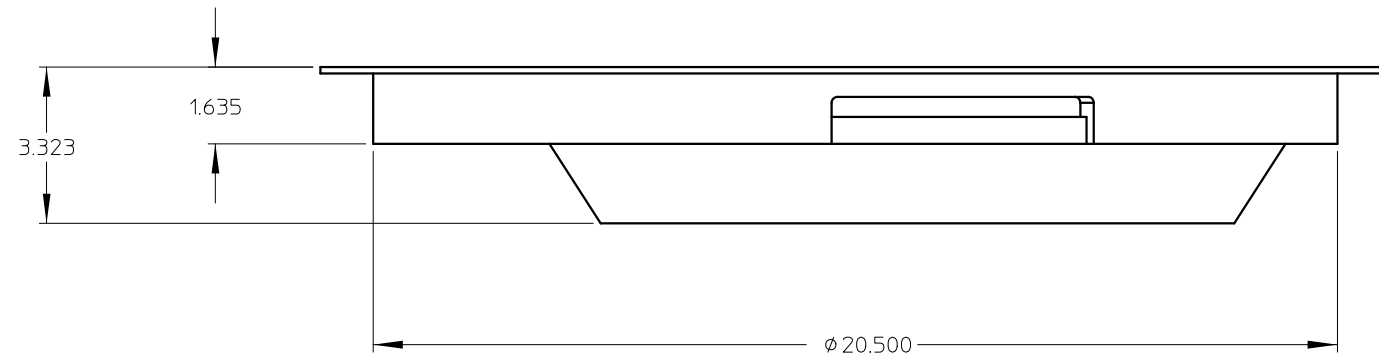
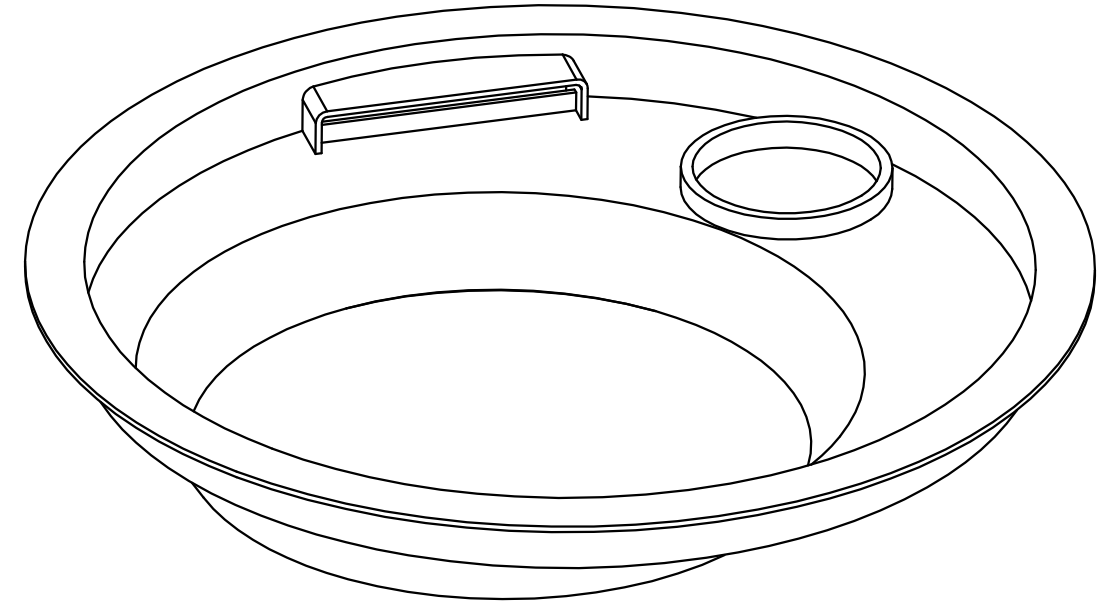
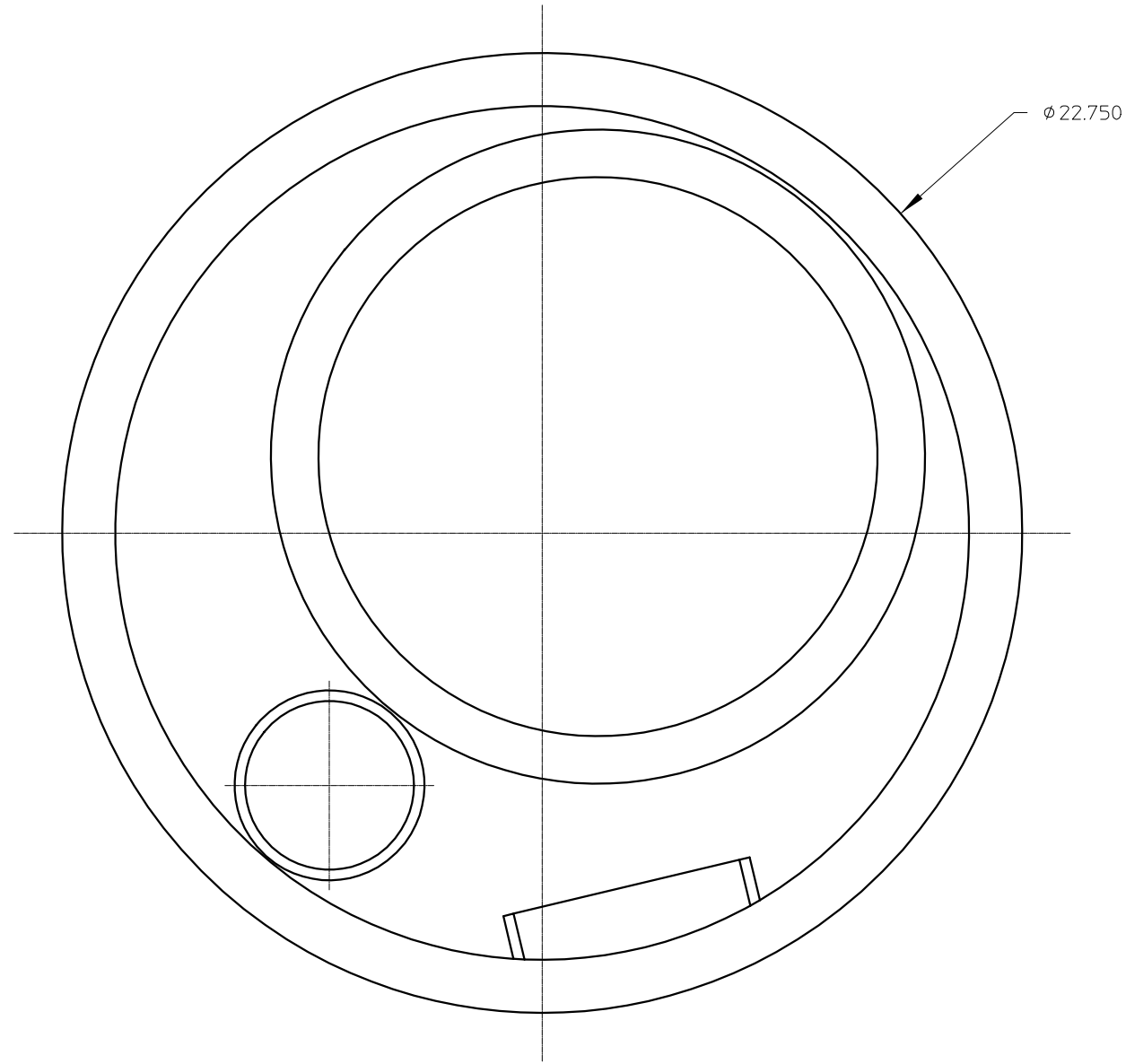


DO NOT SCALE THIS INCH DRAWING		UNLESS OTHERWISE SPECIFIED • DIMENSIONS ARE IN MILLIMETERS & IN ACCORDANCE WITH ANSI Y14.5M-1994 • THIRD ANGLE PROJECTION		1 A/R		PART NUMBER / DESCRIPTION	
DEFAULT TOLERANCES LINEAR: XX + .05, XXX + .02, XXXX + .01, XX XXXX + .005 ANGULAR: XX ± 2°, XXX ± 1°, XXXX ± 0°30'		T. MCKINLEY ORIGINAL DRAWN BY FIRST LAST ENGINEER/CURATOR FIRST LAST REVISED BY		06/04/2008 DATE		STRAINER BASKET DETAIL	
SUPERSEDES		NONE SCALE		003 SHEET		D-T-XXXXXX-XXXX-1 DOCUMENT NUMBER	

NOTES: (UNLESS OTHERWISE SPECIFIED)

1. MATERIAL: 10 GA
2. FINISH: N/A
3. HEAT TREAT: N/A
4. ETCH OR ENGRAVE PART NUMBER IN THIS AREA: N/A

REV	REVISIONS	APPROVED	DATE
A	AS DRAWN	T. MCKINLEY	06/04/2008

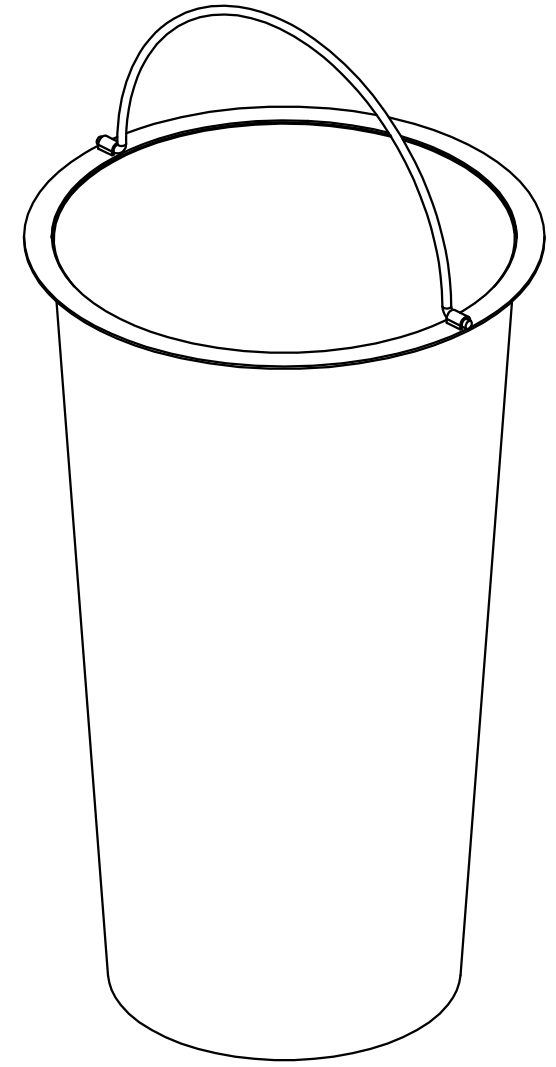
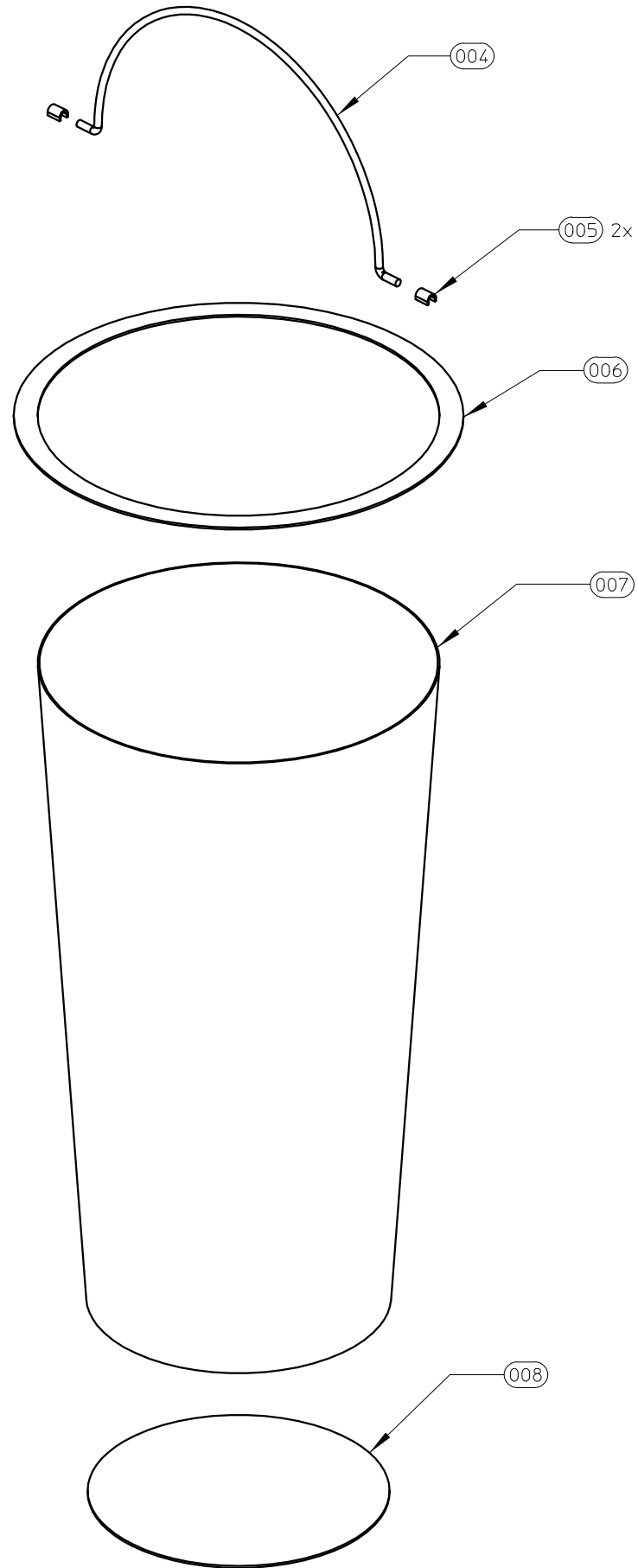


DO NOT SCALE THIS INCH DRAWING		PART NUMBER / DESCRIPTION		TITLE	
UNLESS OTHERWISE SPECIFIED DIMENSIONS ARE IN MILLIMETERS & IN ACCORDANCE WITH ANSI Y14.5M-1994 THIRD ANGLE PROJECTION	1	A/R		PAN DETAIL	
DEFAULT TOLERANCES LINEAR: XX ± .05, XXX ± .02, XXXX ± .01, XX XXXX ± .005 ANGULAR: XX ± 2°, XX.X ± 1°, XX.XX ± 0°30'	T. MCKINLEY ORIGINAL DRAWN BY	06/04/2008 DATE		NONE SCALE	
	FIRST LAST ENGINEER/CURATOR			002 SHEET	D-T-XXXXXX-XXXX-1 DOCUMENT NUMBER
	FIRST LAST REVISED BY				
	SUPERSEDES				

NOTES: (UNLESS OTHERWISE SPECIFIED)

1. MATERIAL: N/A
2. FINISH: N/A
3. HEAT TREAT: N/A
4. ETCH OR ENGRAVE PART NUMBER IN THIS AREA: N/A

REV	REVISIONS	APPROVED	DATE
A	AS DRAWN	T. MCKINLEY	06/04/2008



DO NOT SCALE THIS INCH DRAWING		UNLESS OTHERWISE SPECIFIED DIMENSIONS ARE IN MILLIMETERS & IN ACCORDANCE WITH ANSI Y14.5M-1994		THIRD ANGLE PROJECTION		DEFAULT TOLERANCES		T. MCKINLEY ORIGINAL DRAWN BY		06/04/2008 DATE		STRAINER BASKET	
LINEAR XX ± .05 XXX ± .02 XXXX ± .01 XX XXX ± .005 XX XXXX ± .0005		ANGULAR XX ± 2° XX.X ± 1° XX.XX ± 0°30'		ITEM 1		QTY A/R		PART NUMBER / DESCRIPTION		FIRST LAST ENGINEER/CURATOR		TITLE	
SUPERSEDES		NONE		SCALE		003 SHEET		D-T-XXXXXX-XXXX-1		DOCUMENT NUMBER			