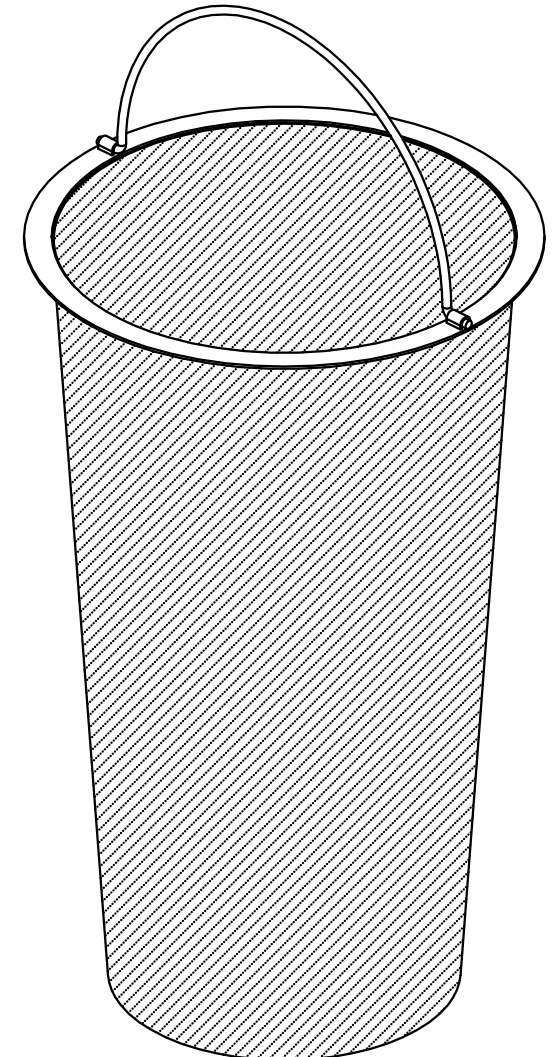
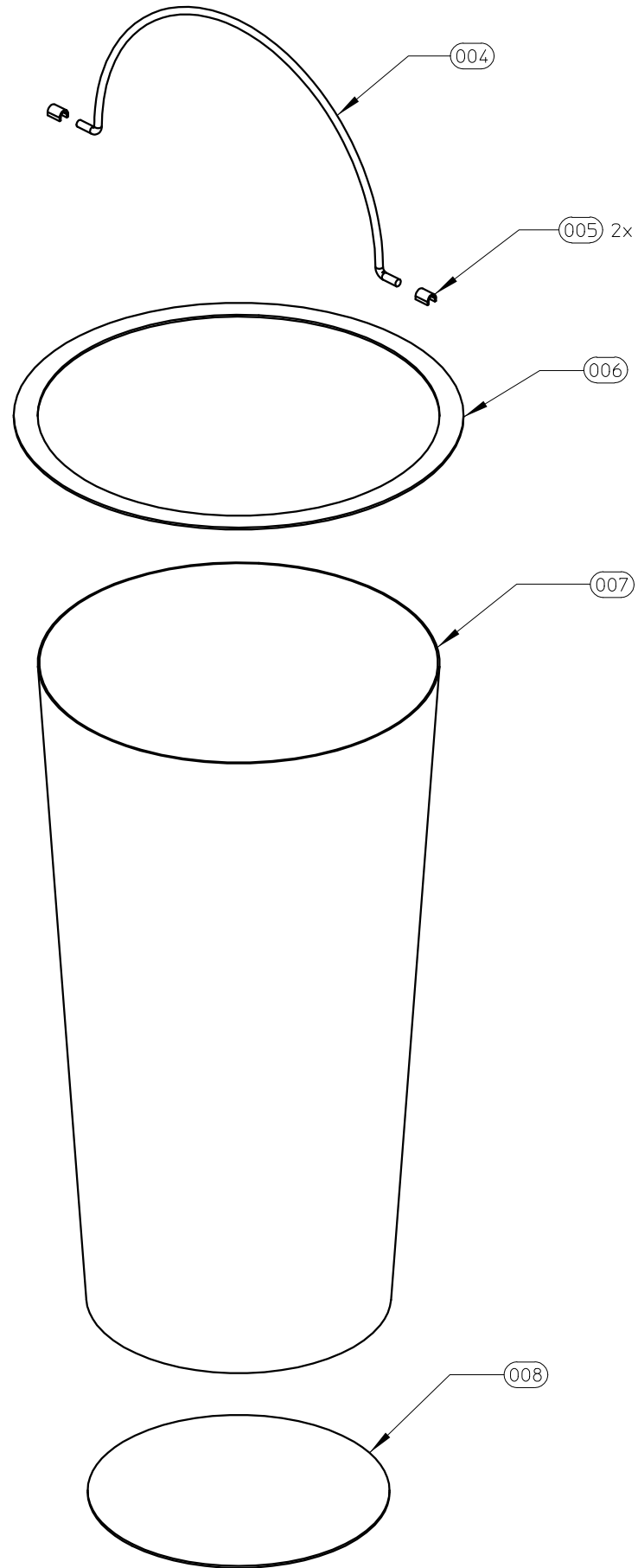


NOTES: (UNLESS OTHERWISE SPECIFIED)

1. MATERIAL: N/A
2. FINISH: N/A
3. HEAT TREAT: N/A
4. ETCH OR ENGRAVE PART NUMBER IN THIS AREA: N/A

REV	REVISIONS	APPROVED	DATE
A	AS DRAWN	T. MCKINLEY	04/23/2008



DO NOT SCALE THIS
INCH
DRAWING

UNLESS OTHERWISE SPECIFIED
• DIMENSIONS ARE IN MILLIMETERS & IN ACCORDANCE WITH ANSI Y14.5M-1994
• THIRD ANGLE PROJECTION

ITEM	QTY	PART NUMBER / DESCRIPTION
1	A/R	

T. MCKINLEY ORIGINAL DRAWN BY	04/23/2008 DATE	TITLE
FIRST LAST ENGINEER/CURATOR		
FIRST LAST REVISED BY		

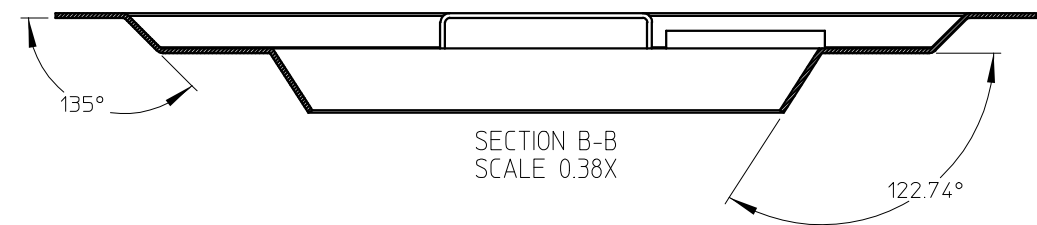
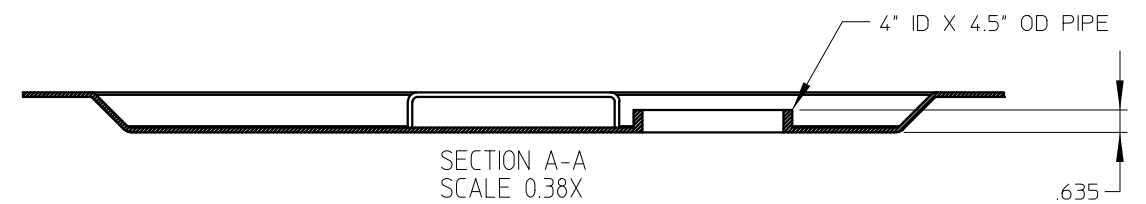
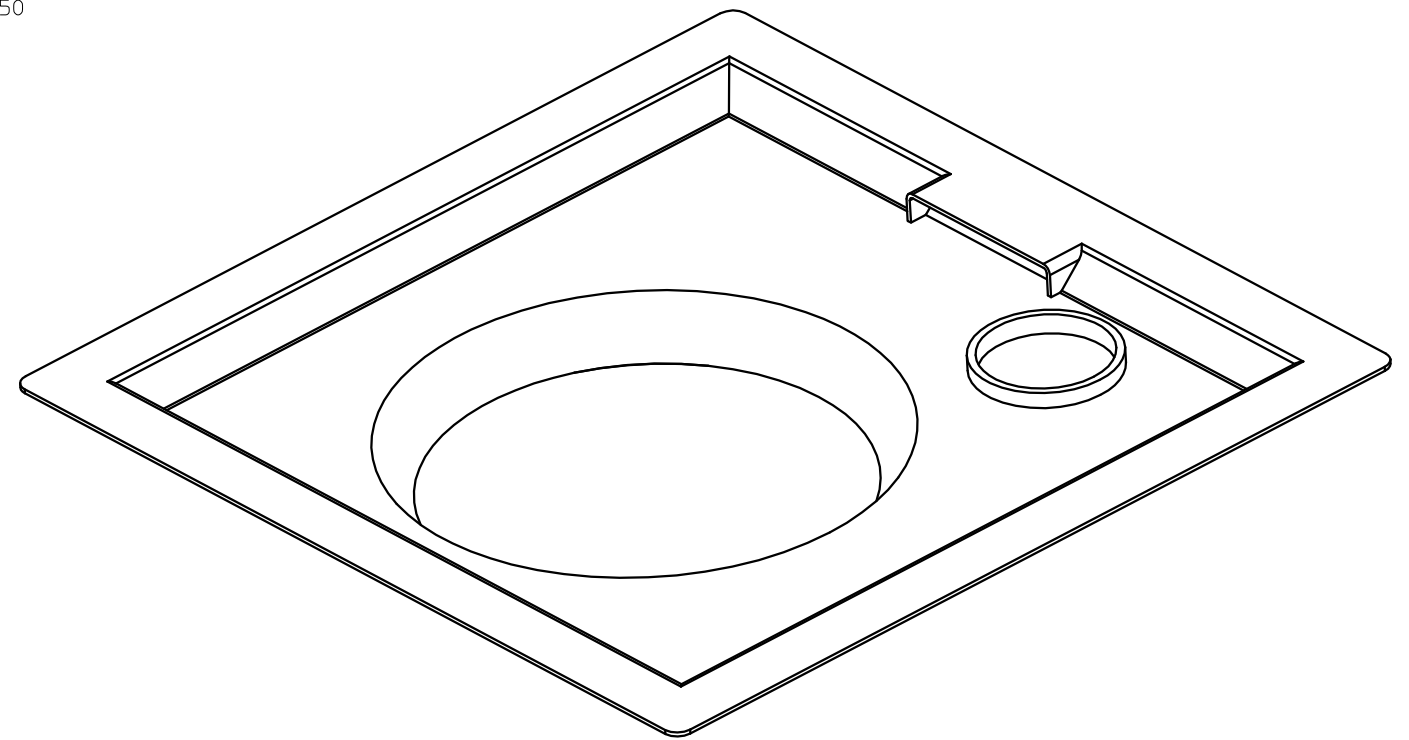
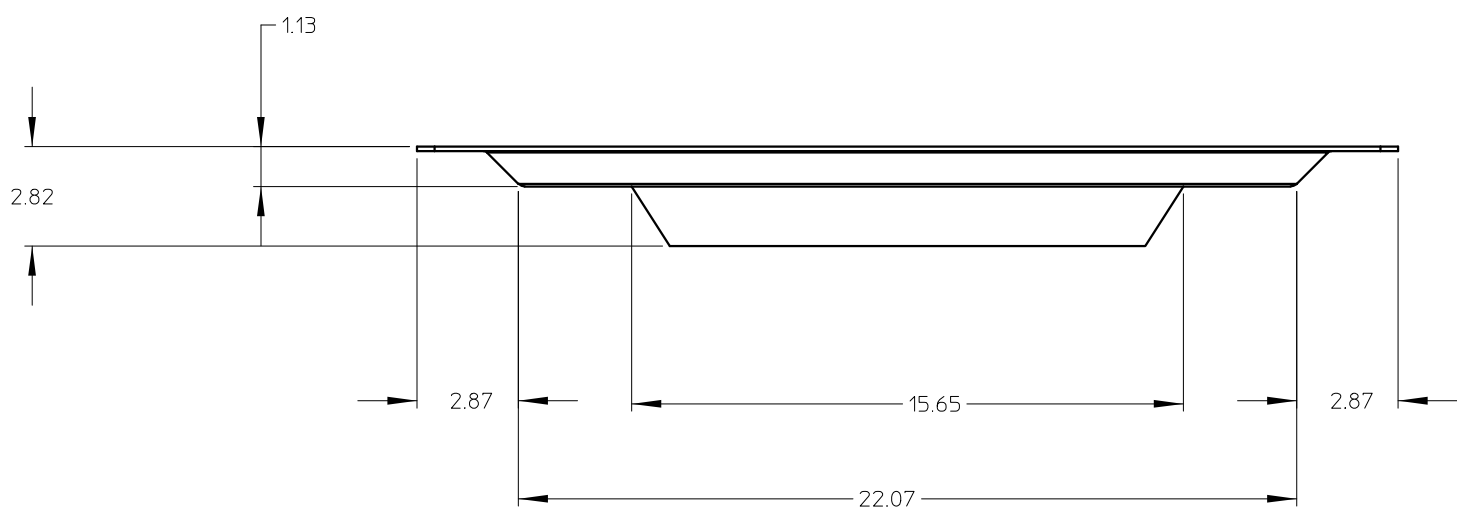
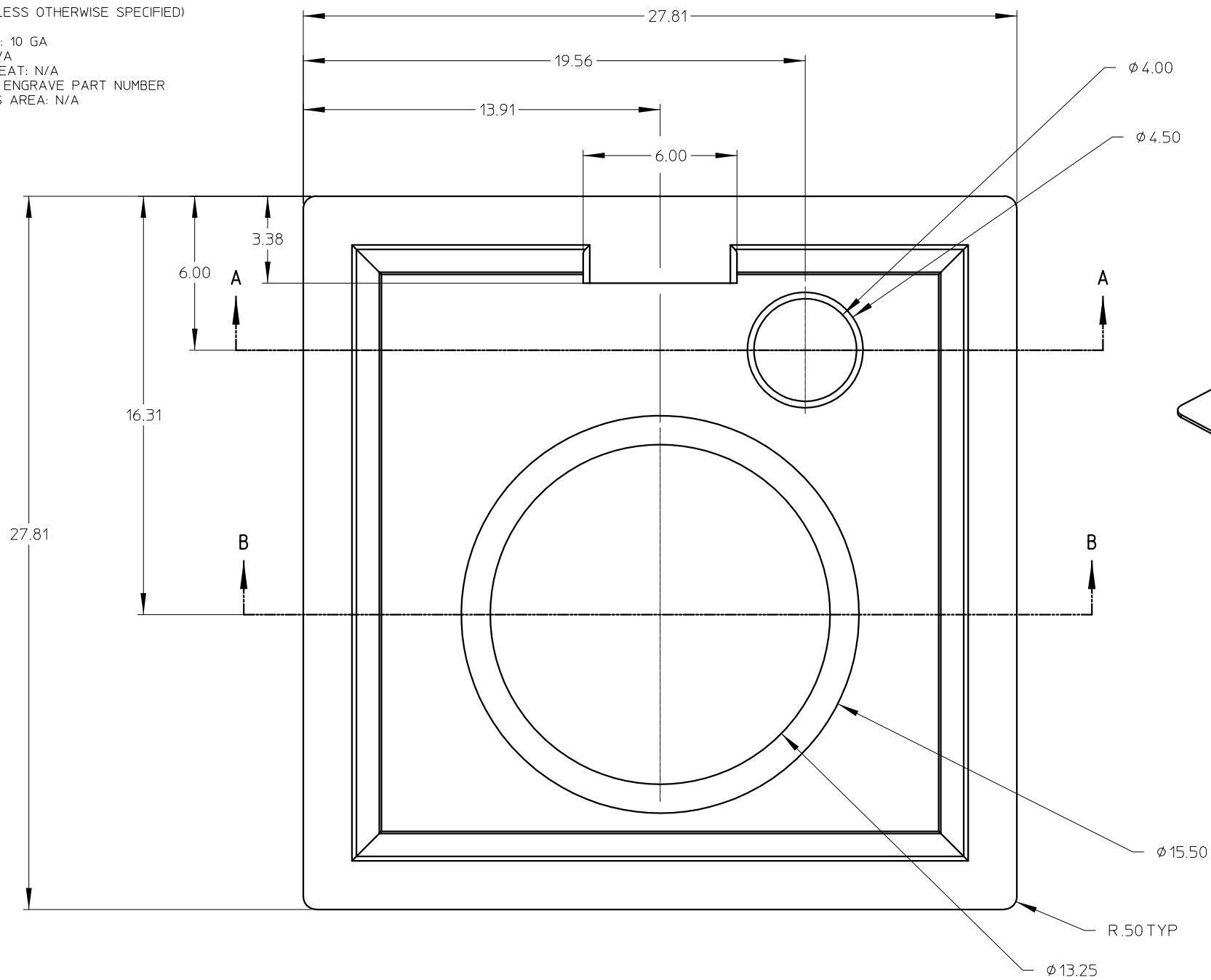
NONE SCALE	003 SHEET	D-T-XXXXXX-XXXX-1 DOCUMENT NUMBER
---------------	--------------	--------------------------------------

SUPERSEDES

NOTES: (UNLESS OTHERWISE SPECIFIED)

1. MATERIAL: 10 GA
2. FINISH: N/A
3. HEAT TREAT: N/A
4. ETCH OR ENGRAVE PART NUMBER IN THIS AREA: N/A

REV	REVISIONS	APPROVED	DATE
A	AS DRAWN	F. LAST	XX/XX/XXXX



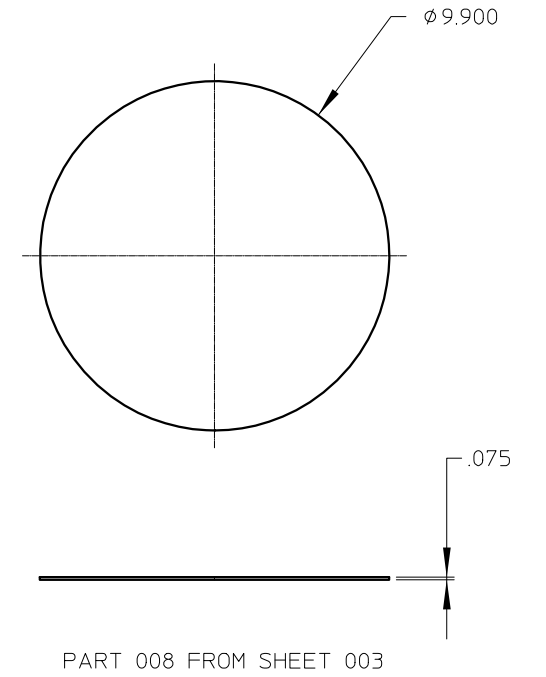
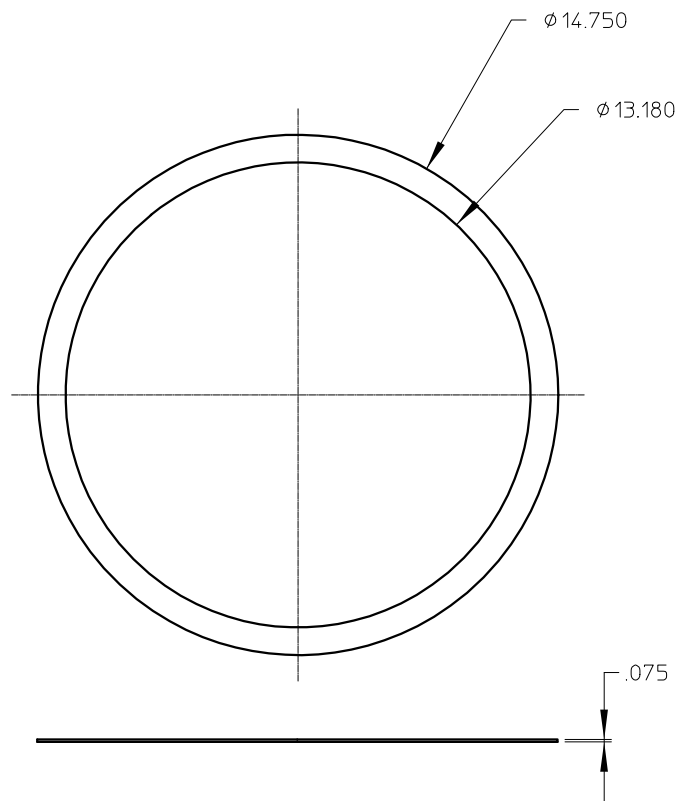
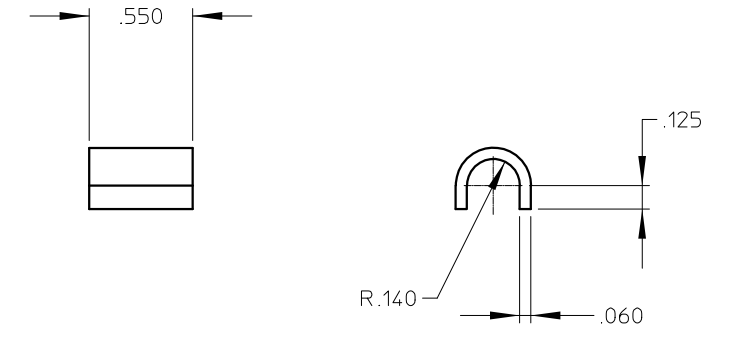
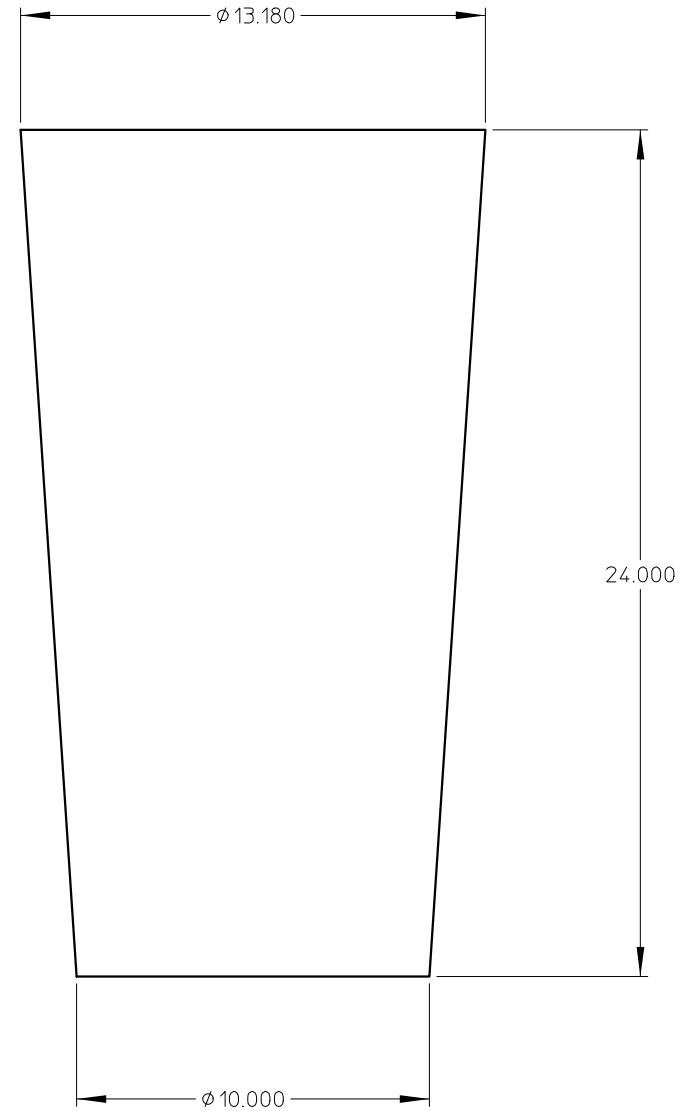
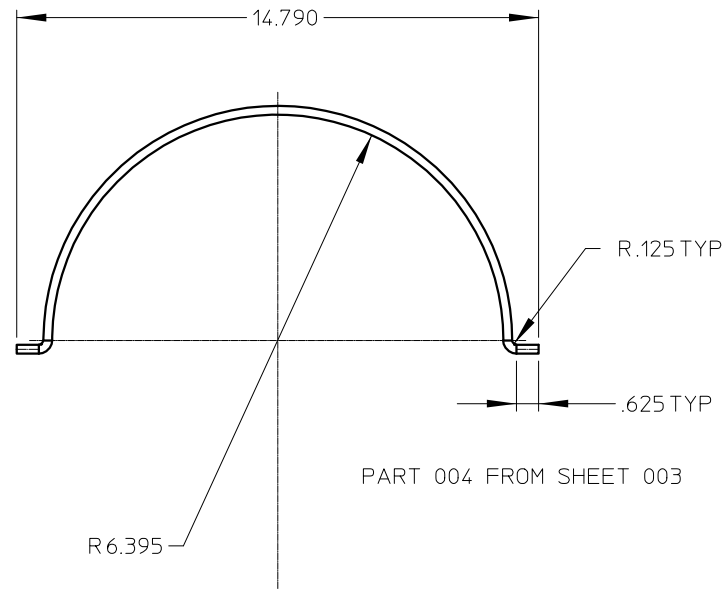
DO NOT SCALE THIS
INCH
DRAWING

UNLESS OTHERWISE SPECIFIED • DIMENSIONS ARE IN MILLIMETERS & IN ACCORDANCE WITH ANSI Y14.5M-1994 • THIRD ANGLE PROJECTION		1	A/R	PART NUMBER / DESCRIPTION	
• DEFAULT TOLERANCES LINEAR: XX + .05, XXX + .02, XXXX + .01, XX XXXX + .005, XXXXXX + .0005 ANGULAR: XX ± 2°, XX.X ± 1°, XX.XX ± 0°30'		T. MCKINLEY ORIGINAL DRAWN BY	04/23/2008 DATE	TITLE	
		FIRST LAST ENGINEER/CURATOR		TITLE	
		FIRST LAST REVISED BY		TITLE	
SUPERSEDES				NONE SCALE	002 SHEET
				D-T-XXXXXX-XXXX-1 DOCUMENT NUMBER	

NOTES: (UNLESS OTHERWISE SPECIFIED)

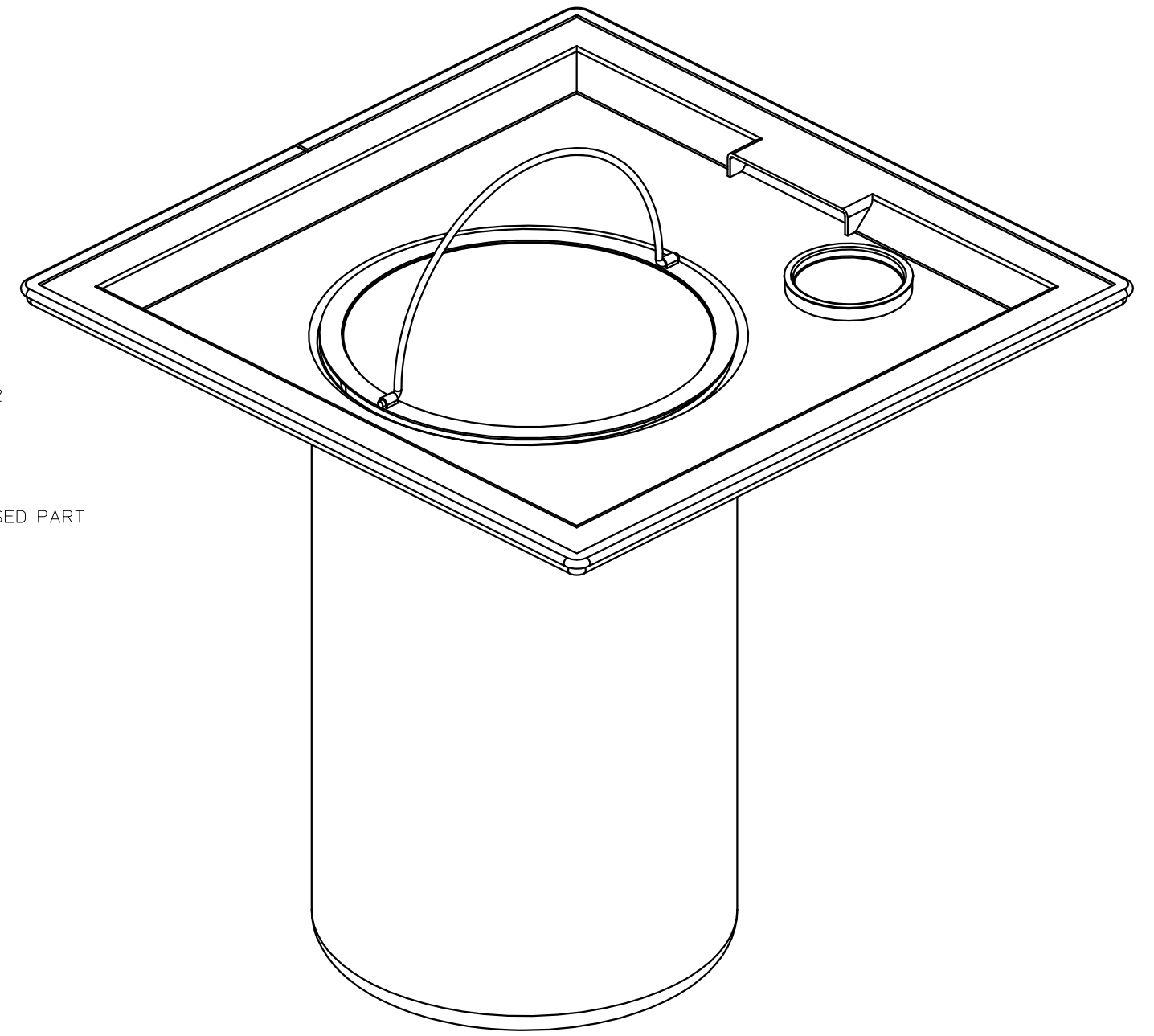
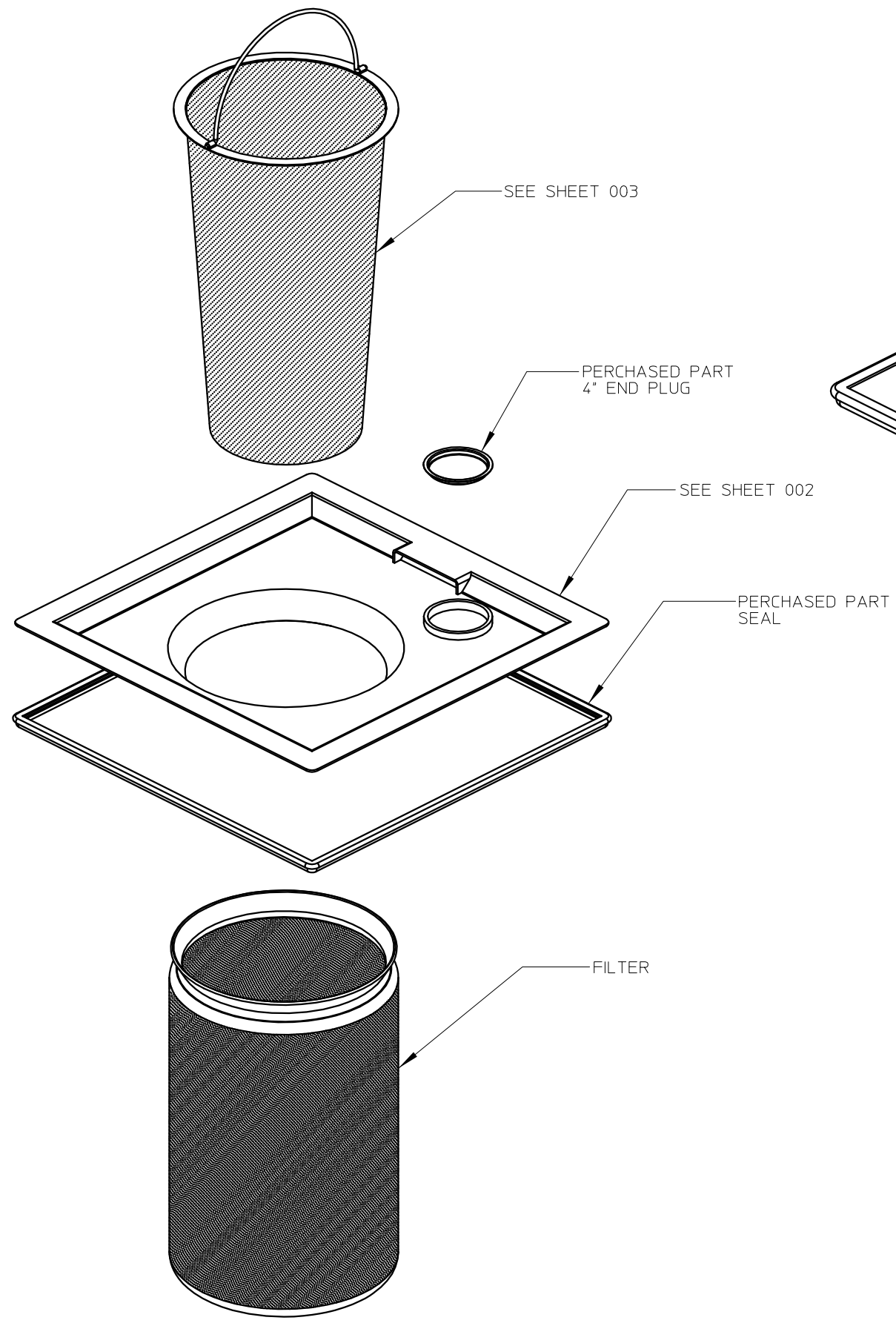
1. MATERIAL: N/A
2. FINISH: N/A
3. HEAT TREAT: N/A
4. ETCH OR ENGRAVE PART NUMBER IN THIS AREA: N/A

REV	REVISIONS	APPROVED	DATE
A	AS DRAWN	T. MCKINLEY	04/23/2008



DO NOT SCALE THIS INCH DRAWING		UNLESS OTHERWISE SPECIFIED • DIMENSIONS ARE IN MILLIMETERS & IN ACCORDANCE WITH ANSI Y14.5M-1994 • THIRD ANGLE PROJECTION		1 A/R		PART NUMBER / DESCRIPTION		T. MCKINLEY ORIGINAL DRAWN BY		04/23/2008 DATE		TITLE			
• DEFAULT TOLERANCES LINEAR XX ± .05 XXX ± .02 XXXX ± .01 XX XXXX ± .005 XX XXXX ± .005		ANGULAR XX ± 2° XXX ± 1° XX XX ± 0°30'		FIRST LAST ENGINEER/CURATOR		FIRST LAST REVISED BY		SUPERSEDES		NONE SCALE		003 SHEET		D-T-XXXXXX-XXXX-1 DOCUMENT NUMBER	

REV	REVISIONS	APPROVED	DATE
A	AS DRAWN	T. MCKINLEY	04/23/2008



DO NOT SCALE THIS
INCH
DRAWING

UNLESS OTHERWISE SPECIFIED
• DIMENSIONS ARE IN MILLIMETERS & IN ACCORDANCE WITH ANSI Y14.5M-1994
• THIRD ANGLE PROJECTION

• DEFAULT TOLERANCES
LINEAR ANGULAR
XX ± .05 XX ± 2°
XXX ± .02 XXX ± 1°
XXXX ± .01 XXXX ± 0°30'
XX.XXX ± .005
XX.XXXX ± .0005

1	A/R		
ITEM	QTY	PART NUMBER / DESCRIPTION	
		T. MCKINLEY	04/23/2008
		ORIGINAL DRAWN BY	DATE
		FIRST LAST	
		ENGINEER/CURATOR	
		FIRST LAST	
		REVISED BY	
SUPERSEDES			

TITLE		
TITLE		
NONE	001	D-T-XXXXXX-XXXX-1
SCALE	SHEET	DOCUMENT NUMBER