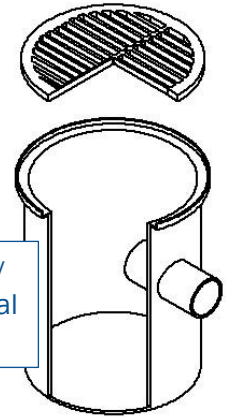


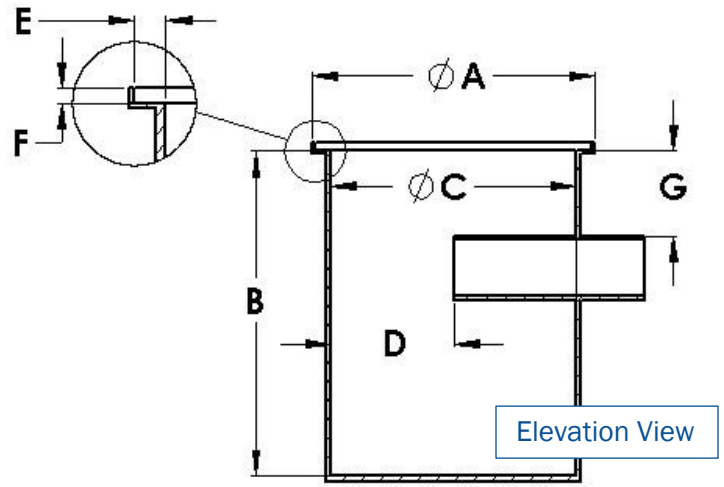
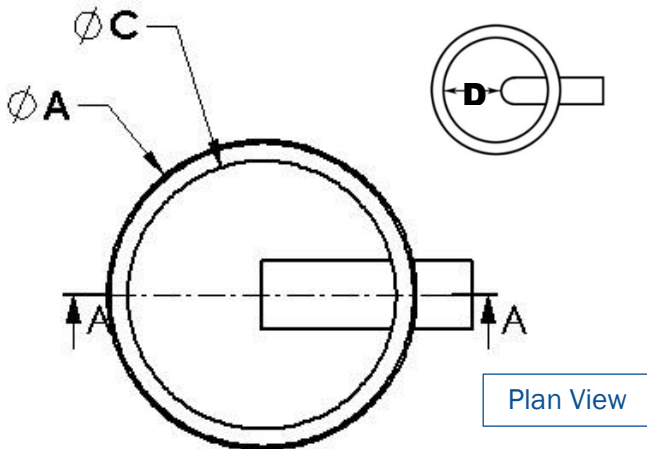
# MEASURE YOUR CATCH BASIN

Date: \_\_\_\_\_ Email: \_\_\_\_\_  
 Contact: \_\_\_\_\_ Phone: \_\_\_\_\_  
 Company: \_\_\_\_\_  
 Site Address: \_\_\_\_\_  
 Catch Basin Part Number (if applicable) \_\_\_\_\_



	Catch Basin / Grate	Measurement		Catch Basin / Grate	Measurement
<b>A</b>	Grate outer diameter		<b>F</b>	Grate frame height	
<b>B</b>	Sump depth		<b>G</b>	Top of outlet to surface grade	
<b>C</b>	Grate frame inside diameter		<b>K</b>	Reinforced grate thickness (center)	
<b>D</b>	Clearance to outlet pipe/baffle		<b>L</b>	Reinforced grate thickness (edge)	
<b>E</b>	Grate frame width		<b>M</b>	Flat grate thickness	

*Please send any photos of your catch basin and grate to assist with accurate sizing.*



Check one:  
 reinforced  
 or flat

